

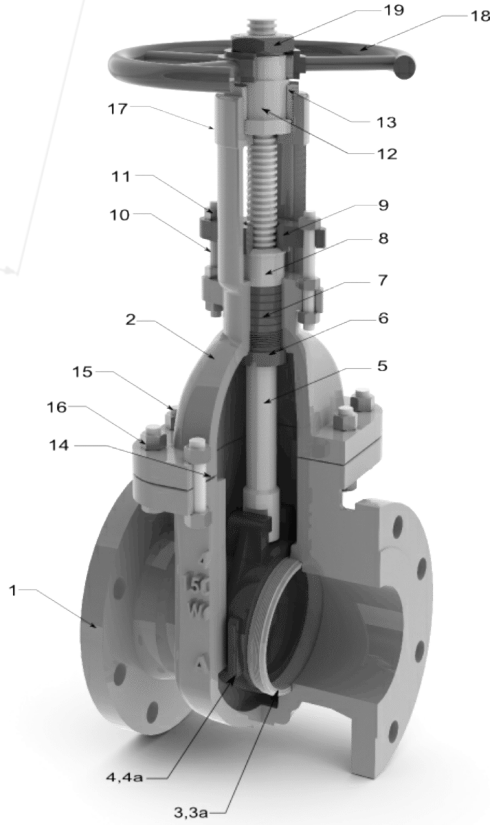


GATE VANALAR
/ GATE VALVES



Çelik Döküm Gate Vana / Cast Steel Gate Valve
Dövme Çelik Gate Vana / Forged Steel Gate Valve
Bronz Döküm Gate Vana / Cast Bronze Gate Valve

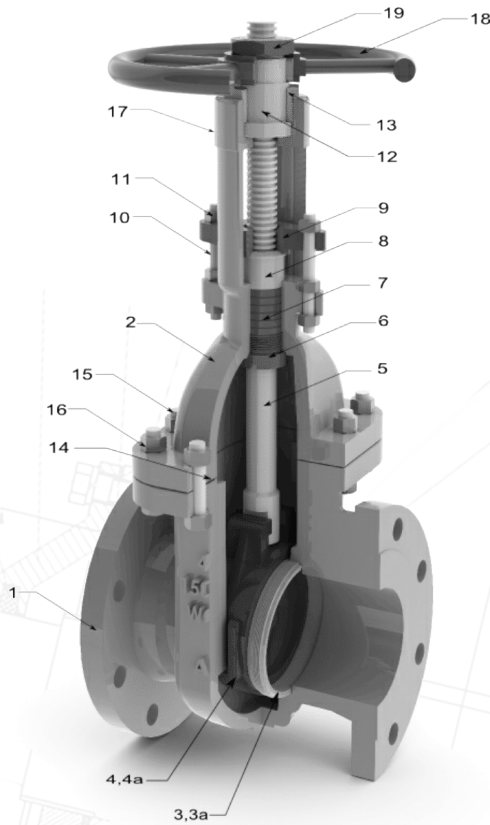
150 CLASS CAST STEEL GATE VALVES



- Wedge Gate, Bolted Bonnet
- Outside Screwed & Yoke, Rising Stem
- Design Standard: API 6D & API 600 & ASME B16.34
- Face to Face Standard: ANSI B 16.10
- Flange Standard : ANSI B 16.5 & ASME B16.47
- Rating: -29 +38° C at 20 Bar, Max.425° C at 6 Bar
- Test: Shell 30 Bar, Closure 22 Bar , Air 6 Bar

Item No	Part Name	Material
1	Body*	Cast Steel
2	Bonnet*	Cast Steel
3	Body Seat Ring	Carbon Steel
3a	Body Seat Face	Stainless Steel
4	Wedge*	Cast Steel
4a	Wedge Seat Face	Stainless Steel
5	Stem	Stainless Steel
6	Back Ring	Stainless Steel
7	Packing	Graphite
8	Gland	Stainless Steel
9	Gland Flange*	Cast Steel
10	Gland Bolt	Stainless Steel
11	Gland Nut	Galvanized
12	Stem Bushing	Bronze
13	Bushing Nut	Carbon Steel
14	Gasket	Reinforced
15	Stud Bolt	Cr.Mo Steel
16	Nut	Carbon Steel
17	Grease Fitting	Carbon Steel
18	Handwheel	Cast Steel
19	Wheel Nut	Carbon Steel

*Materials can be stainless steel or alloy steel
*Malzemeler paslanmaz çelik veya alaşımli çelik olabilir

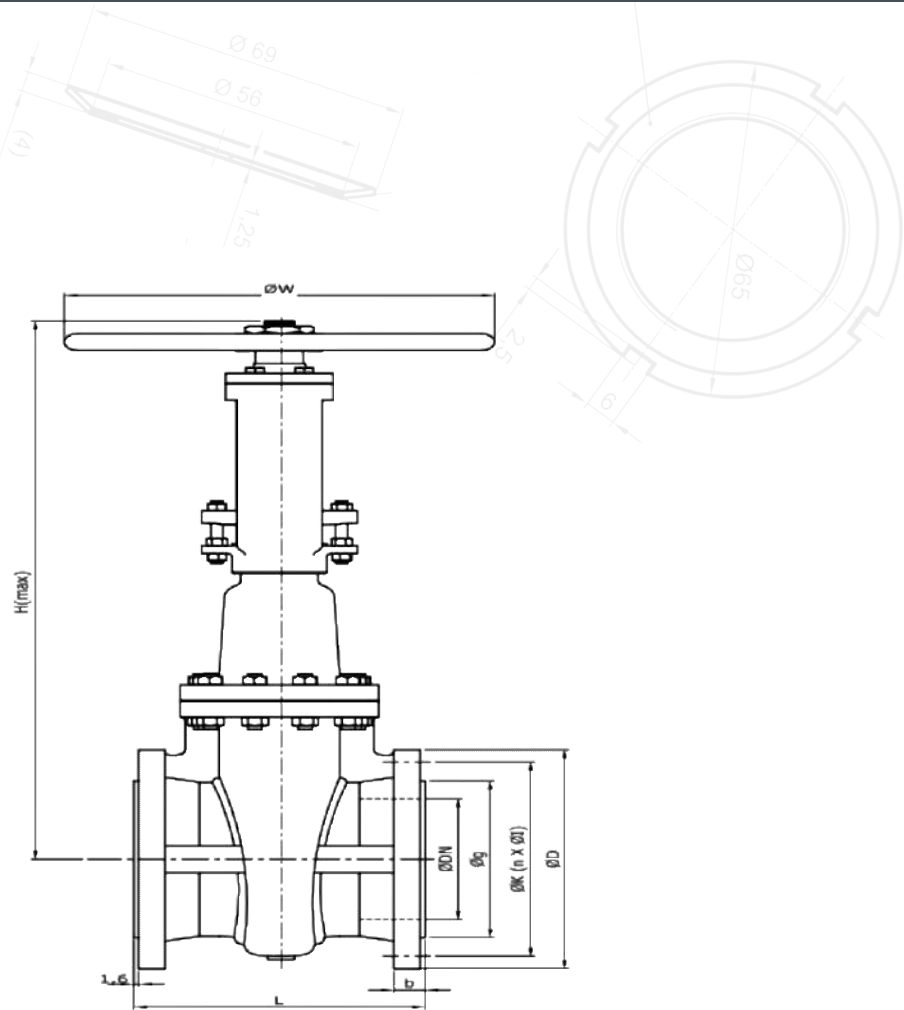


- Wedge Gate, Bolted Bonnet
- Outside Screwed & Yoke, Rising Stem
- Design Standard: API 6D & API 600 & ASME B16.34
- Face to Face Standard: ANSI B 16.10
- Flange Standard : ANSI B 16.5 & ASME B16.47
- Rating: -29 +38° C at 20 Bar, Max.425° C at 6 Bar
- Test: Shell 30 Bar, Closure 22 Bar , Air 6 Bar

Item No	Part Name	Material
1	Body*	Cast Steel
2	Bonnet*	Cast Steel
3	Body Seat Ring	Carbon Steel
3a	Body Seat Face	Stainless Steel
4	Wedge*	Cast Steel
4a	Wedge Seat Face	Stainless Steel
5	Stem	Stainless Steel
6	Back Ring	Stainless Steel
7	Packing	Graphite
8	Gland	Stainless Steel
9	Gland Flange*	Cast Steel
10	Gland Bolt	Stainless Steel
11	Gland Nut	Galvanized
12	Stem Bushing	Bronze
13	Bushing Nut	Carbon Steel
14	Gasket	Reinforced
15	Stud Bolt	Cr.Mo Steel
16	Nut	Carbon Steel
17	Grease Fitting	Carbon Steel
18	Handwheel	Cast Steel
19	Wheel Nut	Carbon Steel

*Materials can be stainless steel or alloy steel
*Malzemeler paslanmaz çelik veya alaşımli çelik olabilir

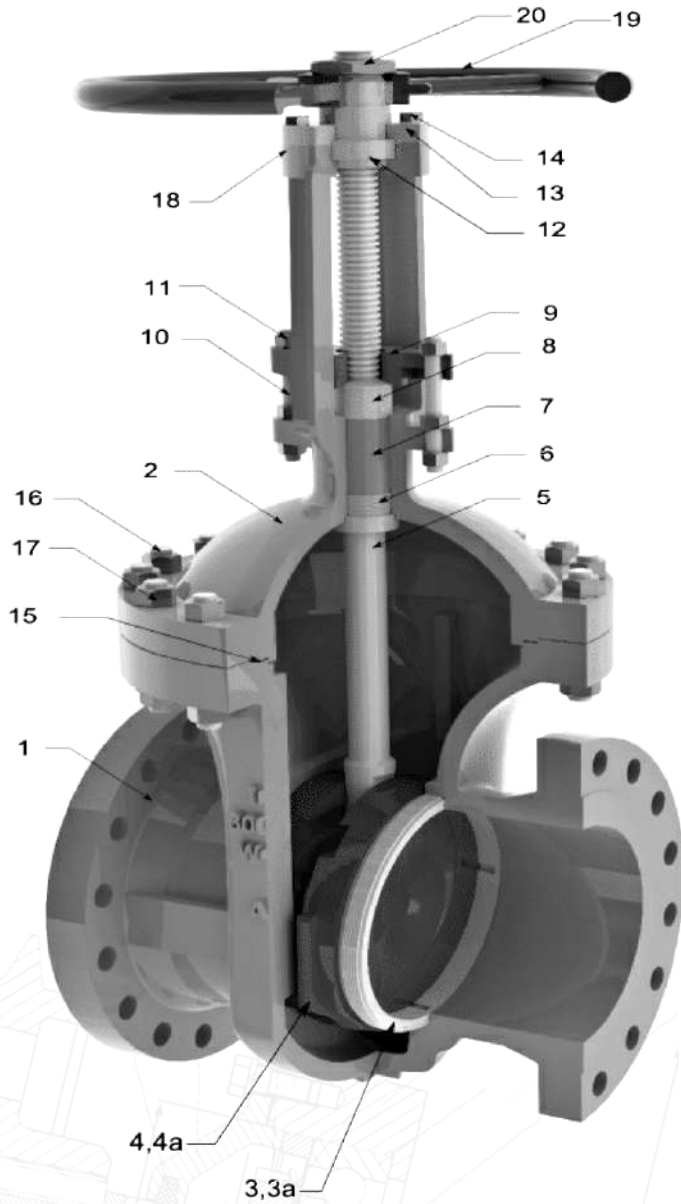
150 CLASS CAST STEEL GATE VALVES



Dimensions & Weight

NPS	DN	ØD	b	Øg	ØK	ØI	n	Bolt	L	H(max.)	ØW	Wt
inc.	mm	mm	mm	mm	mm	mm	no	inc. mm	mm	mm	mm	Kg
8	200	343	29	270	299	22	8	3/4 M20	292	975	360	124
10	250	407	30	324	362	26	12	7/8 M24	330	1275	410	194
12	300	483	32	381	432	26	12	7/8 M24	356	1425	460	280
14	350	534	35	413	476	29	12	1 M27	381	1620	460	370
16	400	597	37	470	540	29	16	1 M27	406	1800	610	485
18	450	635	40	534	578	32	16	1 1/8 M30	432	2100	610	680
20	500	699	43	584	635	32	20	1 1/8 M30	457	2230	730	730
24	600	813	48	692	749	35.5	20	1 1/4 M33	508	2600	730	1050
28	700	925	54	800	863	35.5	28	1 1/4 M33	610	3100	730	1750
30	750	985	54	857	914	35.5	28	1 1/4 M33	610	3200	730	2350
32	800	1060	57	914	978	42	28	1 1/2 M39	711	3350	730	2800
36	900	1170	61	1022	1086	42	32	1 1/2 M39	711	3700	730	3050
42	1050	1345	67	1194	1257	42	36	1 1/2 M39	762	4500	730	4200
48	1200	1510	70	1359	1422	42	44	1 1/2 M39	762	5200	730	5040
60	1500	1855	80	1676	1759	48	52	1 3/4 M45	762	6200	730	9000
72	1800	2200	90	2020	2095	51	60	1 7/8 M48	914	7800	730	13000

300 CLASS CAST STEEL GATE VALVES



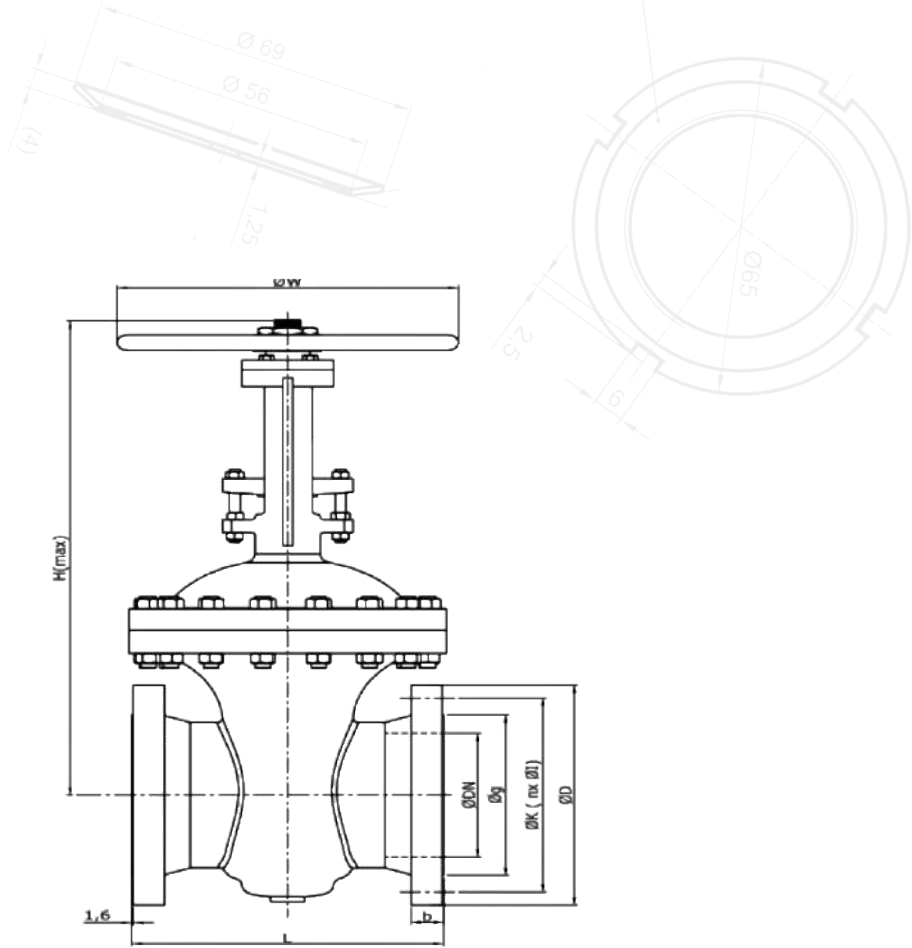
- Wedge Gate, Bolted Bonnet
- Outside Screwed & Rising Stem
- Design Standard: API 6D & API 600 & ASME B16.34
- Face to Face Standard: ANSI B 16.10
- Flange Standard : ANSI B 16.5 & ASME B16.47
- Rating: -29 +38° C at 51 Bar, Max.425° C at 29 Bar
- Test: Shell 77 Bar, Closure 56 Bar , Air 6 Bar

Item No	Part Name	Material
1	Body*	Cast Steel
2	Bonnet*	Cast Steel
3	Body Seat Ring	Carbon Steel
3a	Body Seat Face	Stainless Steel
4	Wedge*	Cast Steel
4a	Wedge Seat Face	Stainless Steel
5	Stem	Stainless Steel
6	Back Ring	Stainless Steel
7	Packing	Graphite
8	Gland	Stainless Steel
9	Gland Flange*	Cast Steel
10	Gland Bolt	Stainless Steel
11	Gland Nut	Galvanized
12	Stem Bushing	Bronze
13	Bushing Flange	Carbon Steel
14	Flange Bolt	Carbon Steel
15	Gasket	SWG
16	Stud Bolt	Cr.Mo Steel
17	Nut	Carbon Stell
18	Grease Fitting	Carbon Stell
19	Handwheel	Cast Steel
20	Wheel Nut	Carbon Stell

*Materials can be stainless steel or alloy steel

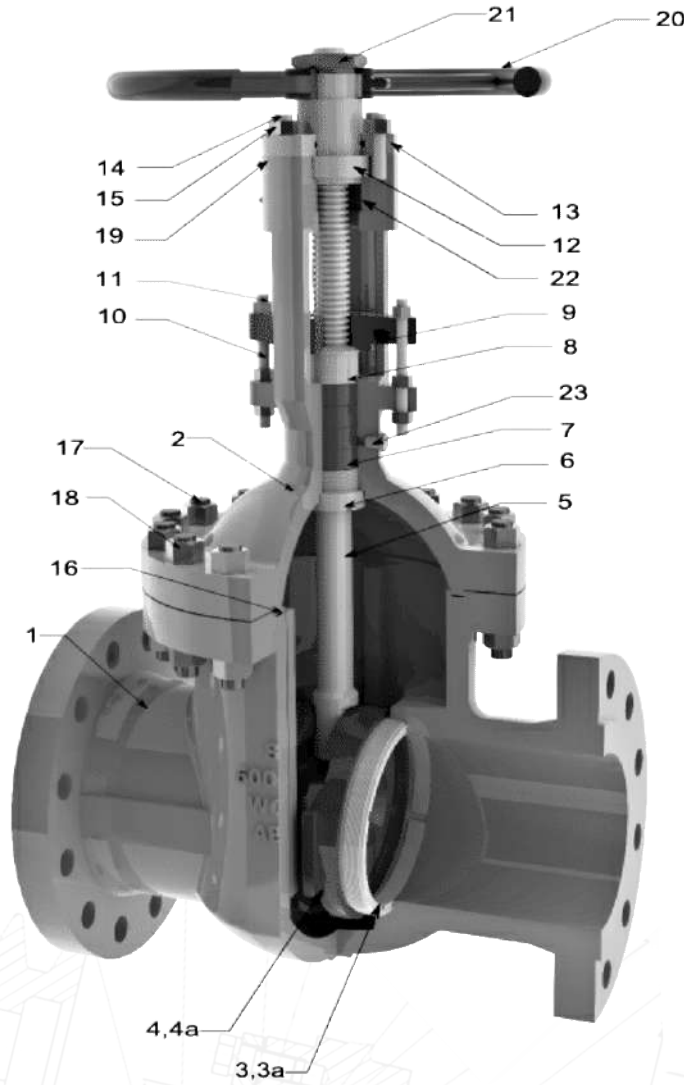
*Malzemeler paslanmaz çelik veya alaşımı çelik olabilir

300 CLASS CAST STEEL GATE VALVES



Dimensions & Weight													
NPS	DN	ØD	b	Øg	ØK	Øl	n	Bolt	L	H(max.)	ØW	Wt	
inc.	mm	mm	mm	mm	mm	mm	no	inc. mm	mm	mm	mm	Kg	
2	50	165	23	92	127	19	8	5/8 M16	216	385	210	22	
2 1/2	65	191	25	105	149	23	8	3/4 M20	241	440	210	31	
3	80	210	29	127	168	23	8	3/4 M20	282.5	475	245	41	
4	100	254	32	157	200	23	8	3/4 M20	305	575	265	80	
5	125	280	35	186	235	23	8	3/4 M20	381	720	265	130	
6	150	318	37	216	270	23	12	3/4 M20	403	820	360	144	
8	200	381	41	270	330	26	12	7/8 M24	419	1040	410	226	
10	250	445	48	324	387	29	16	1 M27	457	1300	460	420	
12	300	521	51	381	451	33	16	1 1/8 M30	502	1475	610	575	
14	350	585	54	413	514	33	20	1 1/8 M30	762	1665	610	738	
16	400	648	57	470	572	35.5	20	1 1/4 M33	838	1860	730	960	
18	450	711	61	534	629	35.5	24	1 1/4 M33	914	2145	730	1350	
20	500	775	64	584	686	35.5	24	1 1/4 M33	991	2300	730	1670	
24	600	915	70	692	813	42	24	1 1/2 M39	1143	2700	730	2150	
28	700	1035	75	800	940	44	28	1 5/8 M42	1346	3300	730	2700	
30	750	1090	78	857	997	48	28	1 3/4 M45	1397	3400	730	3650	
32	800	1150	82	914	1054	51	28	1 7/8 M48	1524	3550	730	4500	
36	900	1270	88	1022	1168	54	32	2 M52	1727	3900	730	5600	
42	1050	1290	94	1137	1206	44	32	1 5/8 M42	1911	4750	730	7700	
48	1200	1465	102	1308	1372	51	32	1 7/8 M48	2050	5500	730	9100	

600 CLASS CAST STEEL GATE VALVES



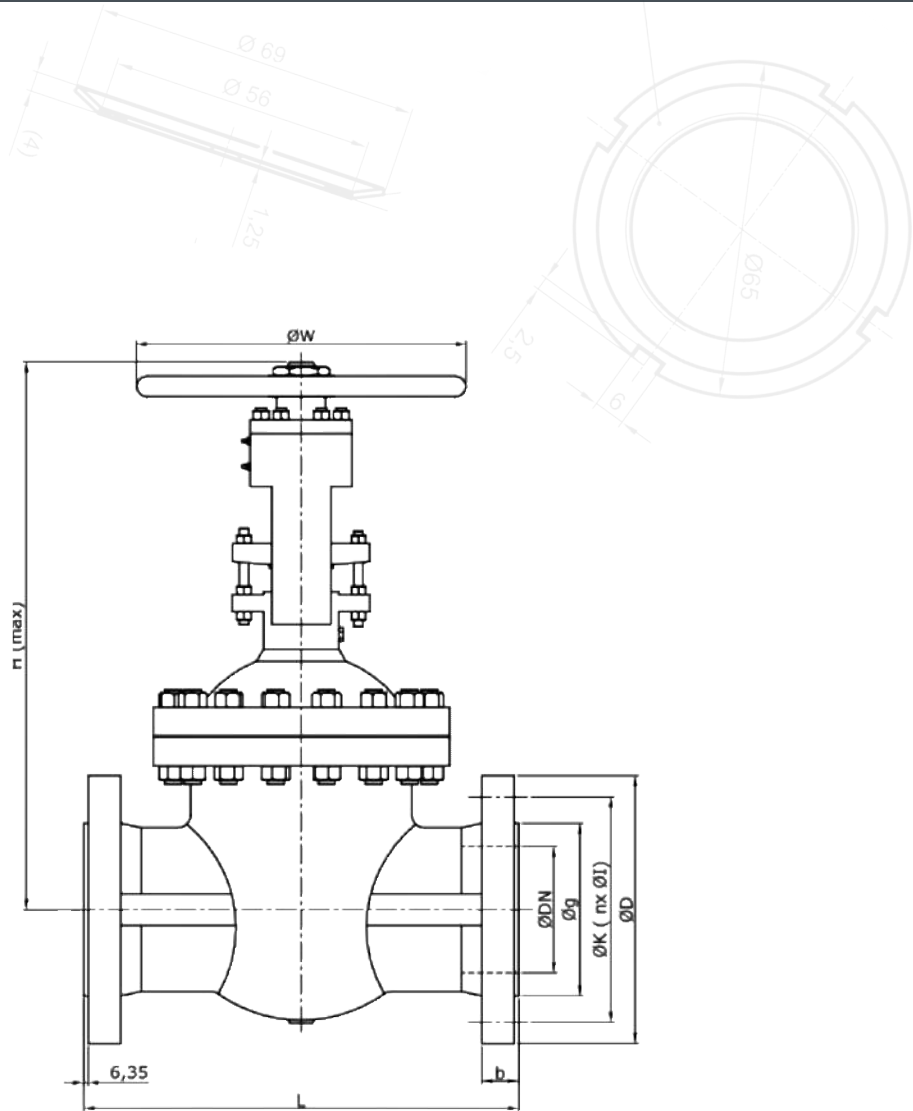
- Wedge Gate, Bolted Bonnet
- Outside Screwed & Rising Stem
- Design Standard: API 6D & API 600 & ASME B16.34
- Face to Face Standard: ANSI B 16.10
- Flange Standard : ANSI B 16.5 & ASME B16.47
- Rating: -29 +38° C at 102 Bar, Max.425° C at 58 Bar
- Test: Shell 153 Bar, Closure 113 Bar , Air 6 Bar

Item No	Part Name	Material
1	Body*	Cast Steel
2	Bonnet*	Cast Steel
3	Body Seat Ring	Carbon Steel
3a	Body Seat Face	Stainless Steel
4	Wedge*	Cast Steel
4a	Wedge Seat Face	Stainless Steel
5	Stem	Stainless Steel
6	Back Ring	Stainless Steel
7	Packing	Graphite
8	Gland	Stainless Steel
9	Gland Flange*	Cast Steel
10	Bolt	Stainless Steel
11	Nut	Galvanized
12	Stem Bushing	Bronze
13	Bushing Flange	Carbon Steel
14	Stud Bolt	Carbon Steel
15	Nut	Carbon Steel
16	Gasket	SWG
17	Stud Bolt	Cr.Mo Steel
18	Nut	Carbon Steel
19	Grease Fitting	Carbon Steel
20	Handwheel	Cast Steel
21	Wheel Nut	Carbon Steel
22	Bearing	
23	Blind Plug	Carbon Steel

*Materials can be stainless steel or alloy steel

*Malzemeler paslanmaz çelik veya alaşımli çelik olabilir

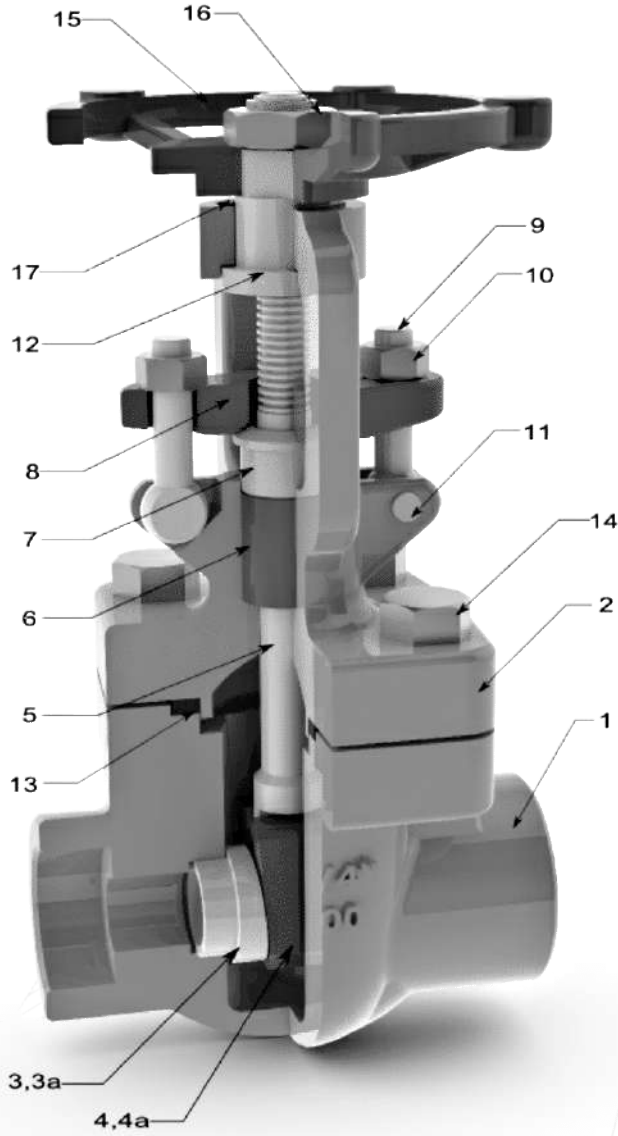
600 CLASS CAST STEEL GATE VALVES



Dimensions & Weight

NPS	DN	ØD	b	Øg	ØK	ØI	n	Bolt	L	H(max.)	ØW	Wt
inc.	mm	mm	mm	mm	mm	mm	no	inc. mm	mm	mm	mm	Kg
2	50	165	26	92	127	19	8	5/8 M16	292	420	210	27
3	80	210	32	127	168	23	8	3/4 M20	356	510	265	58
4	100	273	38	157	216	26	8	7/8 M24	432	620	310	90
6	150	356	48	216	292	29	12	1 M27	559	850	460	195
8	200	419	56	270	349	32	12	1 1/8 M30	660	1100	610	240
10	250	508	64	324	432	35	16	1 1/4 M33	787	1350	730	520
12	300	559	67	381	489	35	20	1 1/4 M33	838	1575	730	800
14	350	603	70	413	527	38	20	1 3/8 M36	889	1750	730	1150
16	400	686	76	470	603	41	20	1 1/2 M39	991	1950	730	1420
18	450	743	83	534	654	45	20	1 5/8 M42	1092	2250	730	2100
20	500	813	89	584	724	45	24	1 5/8 M42	1194	2400	730	2440
24	600	940	102	692	838	51	24	1 7/8 M48	1397	2850	730	3650

800 CLASS FORGED STEEL GATE VALVES



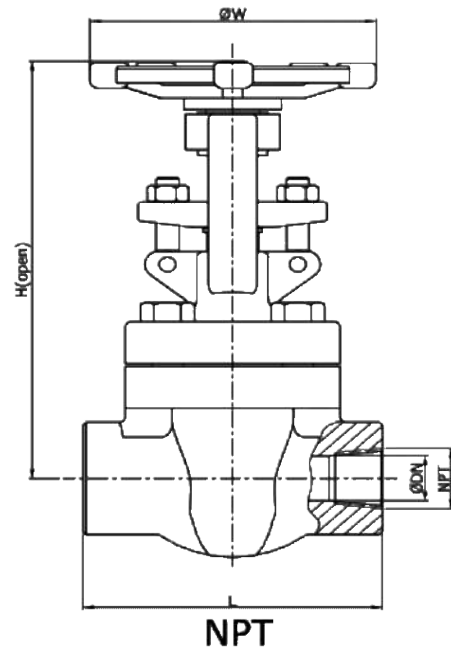
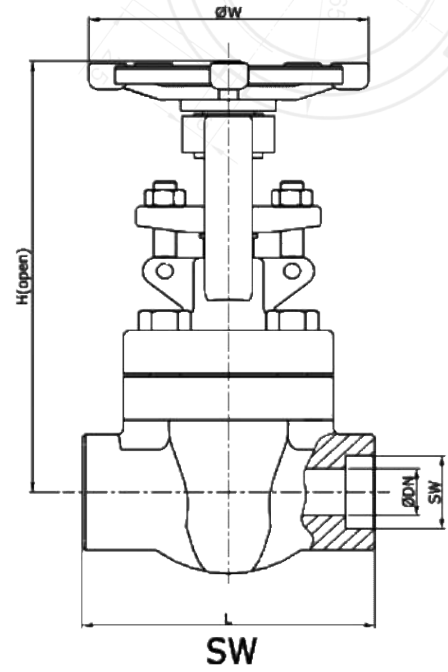
- Wedge Gate, Bolted Bonnet
- Outside Screwed & Yoke, Rising Stem
- Design Standard: API 6D & API 602
- Flange Standard : ANSI B 16.5 & ASME B16.47
- Rating: -29 +38° C at 140 Bar, Max.425° C at 76 Bar
- Test: Shell 211 Bar, Closure 155 Bar , Air 6 Bar

Item No	Part Name	Material
1	Body*	Forged Steel
2	Bonnet*	Forged Steel
3	Body Seat Ring	Stainless Steel
3a	Body Seat Face	Stainless Steel
4	Wedge*	Carbon Steel
4a	Wedge Seat Face	Stainless Steel
5	Stem	Stainless Steel
6	Packing	Graphite
7	Gland	Stainless Steel
8	Gland Flange*	Forged Steel
9	Bolt	Stainless Steel
10	Nut	Galvanized
11	Pin	Stainless Steel
12	Stem Bushing	Bronze
13	Gasket	SWG
14	Bolt	Cr.Mo Steel
15	Handwheel	Forged Steel
16	Wheel Nut	Carbon Stell
17	Washer	Carbon Stell

*Materials can be stainless steel or alloy steel

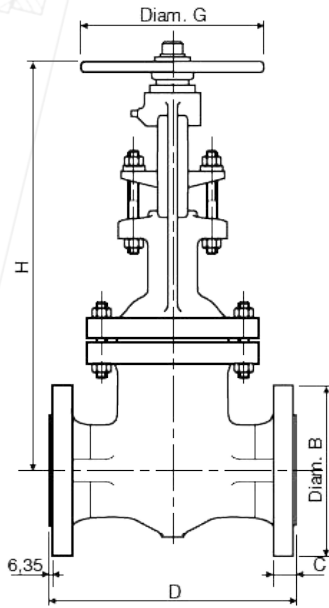
*Malzemeler paslanmaz çelik veya alaşımli çelik olabilir

800 CLASS FORGED STEEL GATE VALVES



Dimensions & Weight						
NPS	DN	SW	L	H(open)	W	Wt
inc.	mm	mm	mm	mm	mm	Kg
1/2	15	21,7	80	145	90	1,7
3/4	20	27,1	90	156	90	2,1
1	25	33,7	110	186	110	3,4
1 1/4	32	42,6	127	216	120	5,3
1 1/2	40	48,6	127	255	140	7,1
2	50	61,1	130	273	140	9,3

900 / 1500 CLASS FORGED STEEL GATE VALVES



gate valves
API 600 – 1997

distance entre brides
face-to-face dimension
ASME B 16.10 – 1992

brides
flanged ends
ASME B 16.5 – 1996

900 CLASS

Dimensions mm

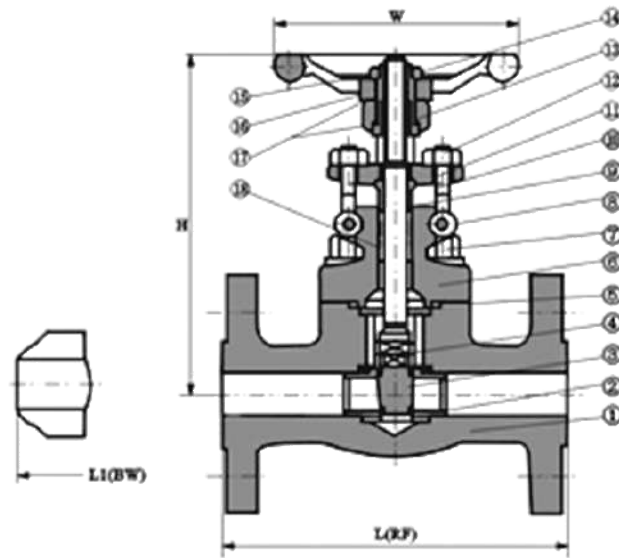
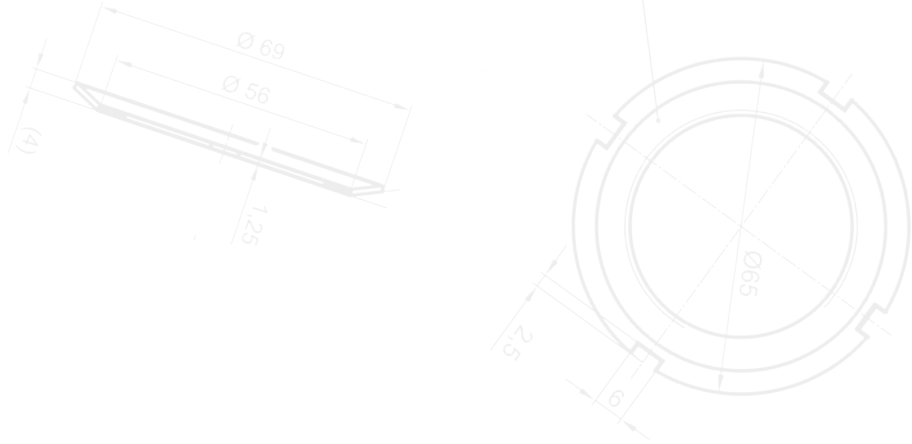
Diamètre / Size		Ø B	C	D (I)	H *	Ø G *
DN	NPS					
50	2	216	44,5	368,3	470	293
80	3	241	44,5	381	665	293
100	4	292	50,8	457,2	690	355
150	6	381	62,0	609,6	1095	508
200	8	470	70,0	736,6	1130	610
250	10	546	76,2	838,2	1254	684
300	12	610	85,7	965,2	1320	800

1500 CLASS

Dimensions mm

Diamètre / Size		Ø B	C	D (I)	H *	Ø G *
DN	NPS					
50	2	216	44,5	368,3	470	293
80	3	267	54,1	469,9	580	355
100	4	311	60,2	546,1	670	508
150	6	394	89,0	704,9	1010	608
200	8	483	98,3	831,9	1130	686
250	10	584	114,5	990,6	1234	901
300	12	673	130,3	1130,3	1400	1092

150-300-600 CLASS FORGED STEEL FLANGED GATE VALVES



Dimensions : mm			Orifice Size	DN NPS	10 3/8	15 1/2	20 3/4	25 1	32 1 1/4	40 1 1/2	50 2	
ASME B 16.10-92	150	RF	102	108	152,5*	165*	190,5*	165	178	178	190,5	
		RJ	-	-	165*	178*	203,5*	178	190,5	216	232	
	300	RF	-	139,5	152,5	165	177,8	190,5	203,5	216	232	
		RJ	-	150,5	165	178	190,5	203,5	216	232	292	
	600	RF	-	165	190,5	216	228,5	241,5	292	292	292	292
		RJ	-	163,5	190,5	216	228,5	241,5	292	292	292	292
AFNOR NFM 87412 86	ISO PN	20	-	108	117	127	-	165	178	178	190,5	
		50	-	140	152	165	-	190	216	216	232	
		100	-	165	190	216	-	241	292	292	292	

GATE VANA PARÇA LİSTESİ/ GATE VALVES PART LIST

Part Name Parça Adı	API TRIM NO			İÇ AKSAM		
	1	8	10	5	12	BRONZE
Body	WCB	WCB	WCB	WCB	WCB	WCB
Bonnet	WCB	WCB	WCB	WCB	WCB	WCB
Yoke	WCB	WCB	WCB	WCB	WCB	WCB
Body Seat Ring	ST	ST	ST	ST	ST	ST
Body Seat Face	Cr13	STL	STL	STL	STL	M
Wedge	WCB	WCB	WCB	WCB	WCB	WCB
Wedge Seat Face	Cr13	Cr13	316	STL	STL	M
Stem	Cr13	Cr13	316	Cr13	316	Bs
Back Ring	Cr13	Cr13	316	Cr13	316	Cr13
Packing	GRF	GRF	GRF	GRF	GRF	GRF
Gland	Cr13	Cr13	316	Cr13	316	Cr13
Gland Flange	WCB	WCB	WCB	WCB	WCB	WCB
Gland Bolt	St.St	St.St	St.St	St.St	St.St	St.St
Gland Nut	Galv.	Galv.	Galv.	Galv.	Galv.	Galv.
Stem Bushing	Bz	Bz	Bz	Bz	Bz	Bz
Bushing Nut	ST	ST	ST	ST	ST	ST
Bushing Flange	ST	ST	ST	ST	ST	ST
Flange Bolt	B	B	B	B	B	B
Gasket For 150 LB	RF	RF	RF	RF	RF	RF
Gasket For 300 LB	SWG	SWG	SWG	SWG	SWG	SWG
Gasket For 600 LB	SWG	SWG	SWG	SWG	SWG	SWG
Gasket For 800 LB	SWG	SWG	SWG	SWG	SWG	SWG
Stud Bolt	B7	B7	B7	B7	B7	B7
Nut	2H	2H	2H	2H	2H	2H
Grease Fitting	ST	ST	ST	ST	ST	ST
Handwheel	DI	DI	DI	DI	DI	DI
Wheel Nut	2H	2H	2H	2H	2H	2H

Materials Symbols /Malzeme Sembolleri

WCB	ASTM A216 Gr. WCB Cast Steel / Çelik Döküm
Cr13	AISI 420 / AWS 430 Cr.13 Stainless Steel / Paslanmaz Çelik
STL	AWS 13ER CoCr-A (STELLITE)Hard Face / Sert Yüzey Dolgusu
ST	ASTM A105 / ASTM A515 Carbon Steel / Karbon Çeliği
DI	Ductile Iron / Sfero Döküm
Bz	ASTM B148 Aluminium-Bz or Mn-Bz /Aluminyum Bronz veya Mangan Bronz
Bs	ASTM B138M Brass/ Pirinç
B	ASTM A307 B Steel Bolt/ Çelik Cıvata
B7	ASTM A193 Gr.B7 Steel Stud Bolt /B7 Kalite Çelik Saplama
2H	ASTM A194 Gr.2H Steel Nut / Çelik Somun
316	AISI 316 & AWS 316L Stainless Steel /316 Kalite Paslanmaz çelik
GRF	Graphite Ring (98%) / %98 Saflıkta Grafit Ring
RF	Reinforced / Takviyeli Grafit
St.St	Stainless Steel /Paslanmaz Çelik
M	Monel AWS A5.11E NiCu-7 DIN1736 El-NiCu30 Mn
SWG	Spiral Wounded Gasket / Spiral Sarımlı Conta
Galv.	Galvanized / Galvaniz